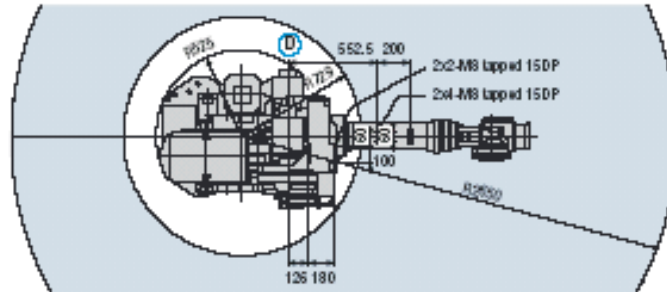


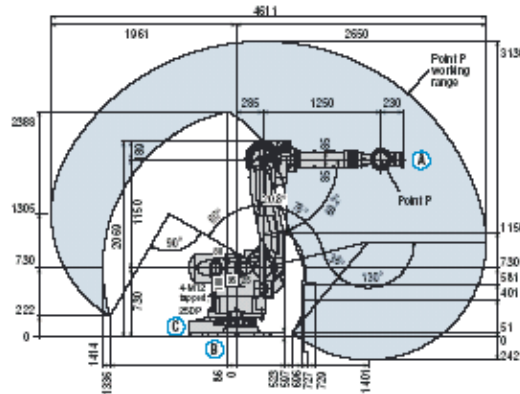


MOTOMAN

UP-165



2Ri Robotics carries a wide selection of high-quality used robots, in stock and ready for shipment. Each component has undergone extensive reconditioning and passed rigorous testing to guarantee years of service and dependability



UP165 SPECIFICATIONS

Structure		Vertical jointed-arm type
Controlled Axes		6
Payload		165 kg (363.8 lbs.)
Vertical Reach		3,372 mm (132.8")
Horizontal Reach		2,650 mm (104.5")
Repeatability		±0.2 mm (0.008")
Maximum Motion Range	S-Axis (Turning/Sweep)	±180°
	L-Axis (Lower Arm)	+76°-60°
	U-Axis (Upper Arm)	+240°-130°
	R-Axis (Wrist Roll)	±360°
	B-Axis (Bend/Pitch/Yaw)	±130°
	T-Axis (Wrist Twist)	±360°
Maximum Speed	S-Axis	110%/s
	L-Axis	110%/s
	U-Axis	110%/s
	R-Axis	175%/s
	B-Axis	145%/s
	T-Axis	240%/s
Approximate Mass		1,300 kg (2,866.5 lbs.)
Brakes		All axes
Power Consumption		7.5 KVA
Allowable Moment	R-Axis	833 N • m
	B-Axis	833 N • m
	T-Axis	490 N • m
Allowable Moment of Inertia	R-Axis	51.25 kg • m ²
	B-Axis	51.25 kg • m ²
	T-Axis	15 kg • m ²

XRC 2001 CONTROLLER SPECIFICATIONS

Structure	Free-standing, enclosed type
Dimensions (mm)	750 (w) x 1,100 (h) x 550 (d) (29.5" x 43.3" x 21.7")
Approximate Mass	70 kg (154.4 lbs.)
Cooling System	Indirect cooling
Ambient Temperature	During operation: 0° C (32° F) to 45° C (113° F) During transit and storage: -10° C (14° F) to +60° C (140° F)
Relative Humidity	90% max. non-condensing
Primary Power Requirements	3-phase, 240/480/575 VAC at 50/60 Hz
Grounding	Grounding resistance: ≤100 ohms Separate ground required
Digital I/O	Specialized signals (hardware): 12 inputs/2 outputs General signals (standard max): 40 inputs/40 outputs Expandable to 256 inputs/256 outputs
Position Feedback	By absolute encoder
Drive Units	Servo packs for AC servomotors
Accel/Decel	Software servo control
Program Memory	5,000 steps and 3,000 instructions
Pendant Dim. (mm)	200 (w) x 325 (h) x 77 (d) (7.9" x 12.8" x 3.0")
Pendant Buttons Provided	Teach Play, Remote, Servo On, Start, Hold, Emergency Stop, Edit Lock
Safety	Emergency Stop Pushbuttons, 3-position Deadman, Brake release switches Meets ANSI/RIA R15.06-1999