



## FANUC ROBOTICS SR Mate 200i

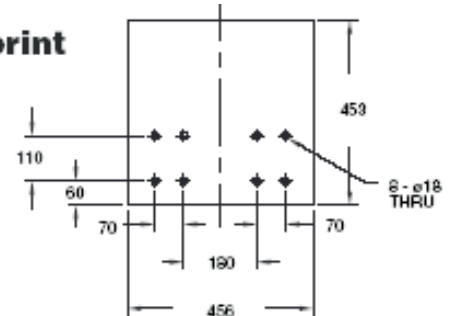
### SR Mate 200i Specifications

Items		
Axes		6
Payload (kg)		8
Reach (mm)		1158
Repeatability (mm)		±0.1
Motion range (degrees)	J1	1500mm
	J2	240
	J3	310
	J4	360
	J5	260
	J6	640
Motion speed (degrees/sec.)	J1	2000mm/sec
	J2	240
	J3	240
	J4	360
	J5	360
	J6	450
Wrist moment (kgfcm)	J4	1.6
	J5	1.0
	J6	0.6
Wrist Inertia (kgfcm s <sup>2</sup> )	J4	6.4
	J5	2.0
	J6	0.62
Mechanical brakes		All axes
Mechanical weight (kg)		400
Installation environment		
Temperature °C		0 to 45
Humidity		Normally: 75% or less Short term (within a month): 95% or less No condensation
Vibration (m/s <sup>2</sup> )		4.9 or less

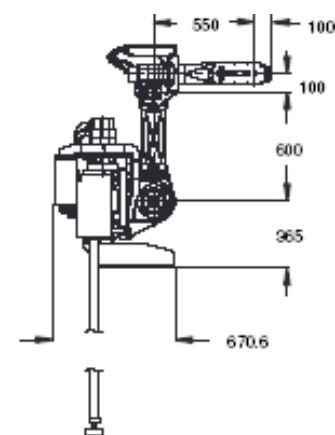


2Ri Robotics carries a wide selection of high-quality used robots, in stock and ready for shipment. Each component has undergone extensive reconditioning and passed rigorous testing to guarantee years of service and dependability

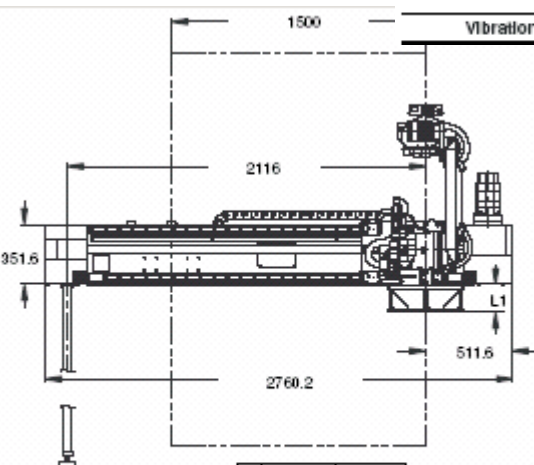
### Footprint



α-150iA/ α-250iA/ α-300iA platen bracket

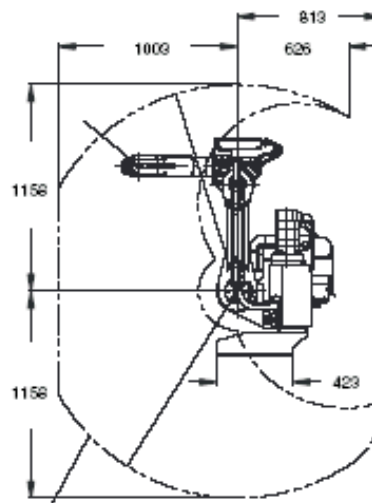


Left Elevation



	α-150iA	α-250iA α-300iA
L1	163.4	293.4

Front Elevation



Right Elevation