



# FANUC ROBOTICS S-900iB

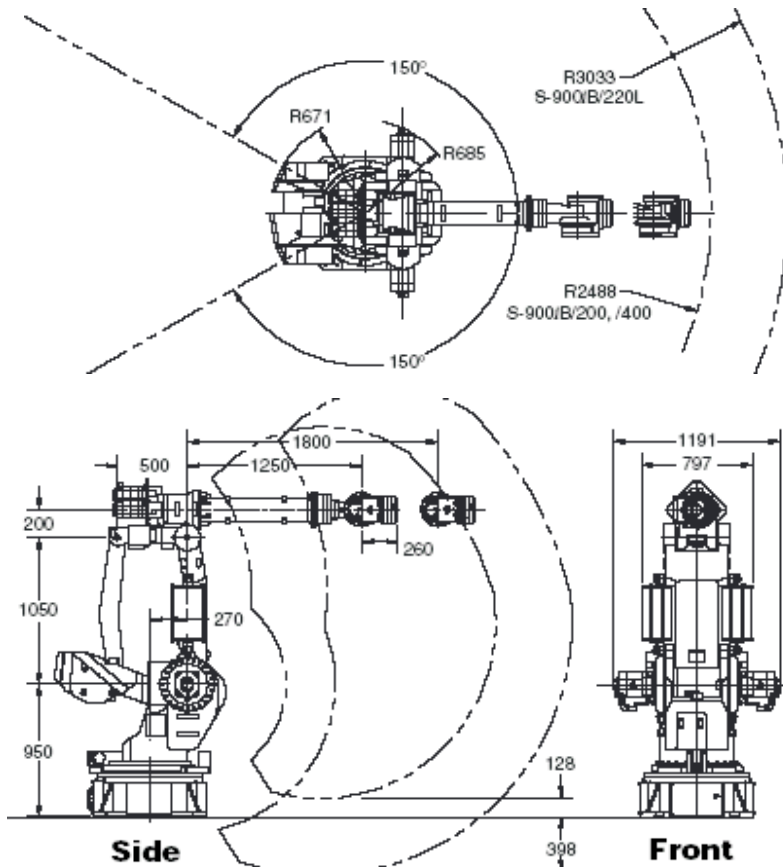
2Ri Robotics carries a wide selection of high-quality used robots, in stock and ready for shipment. Each component has undergone extensive reconditioning and passed rigorous testing to guarantee years of service and dependability

## S-900iB Series Specifications

Items	S-900iB/200	S-900iB/220L	S-900iB/400
Axes	6	6	6
Payload - wrist (kg)	200	220	400
Payload - J2 base (kg)	550	550	550
Reach (mm)	2488	3033	2488
Repeatability (mm)	±0.5	± 0.5	± 0.5
Interference radius (mm)	671	671	671
Motion range (degrees)	J1	300	300
	J2	115	115
	J3	145	145
	J4	720	720
	J5	250	250
	J6	720	720
Motion speed (degrees/sec.)	J1	120	95
	J2	120	95
	J3	125	95
	J4	115	110
	J5	115	110
	J6	200	165
Wrist moment (kgf-m)	J4	120	130
	J5	120	130
	J6	65	70
Wrist inertia (kgf-cm-s <sup>2</sup> )	J4	1200	1200
	J5	1200	1200
	J6	300	600
Mechanical brakes	All axes	All axes	All axes
Mechanical weight (kg)	1970	2080	2045
Mounting method	Floor	Floor	Floor
Installation environment	0 to 45		
Ambient temperature °C	0 to 45		
Humidity	Normally: 75% or less Short term (within a month): 95% or less No condensation (No dew or frost allowed)		
Vibration (m/s <sup>2</sup> )	4.9 or less (0.5 G or less)		
IP Rating(s)	Wrist & J3 arm IP67, rest IP54 (IP55 optional)		



Top



Side

Front