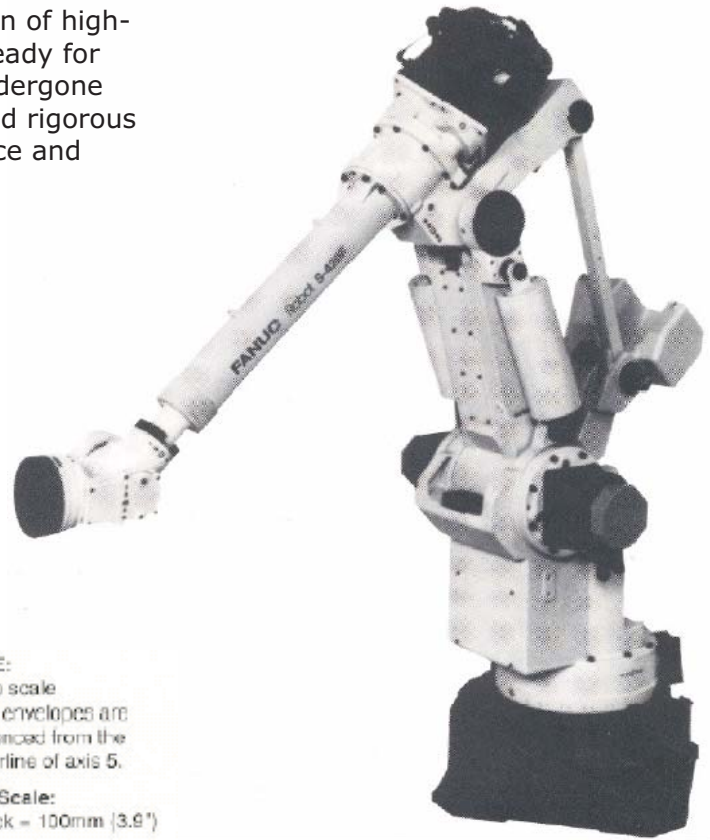
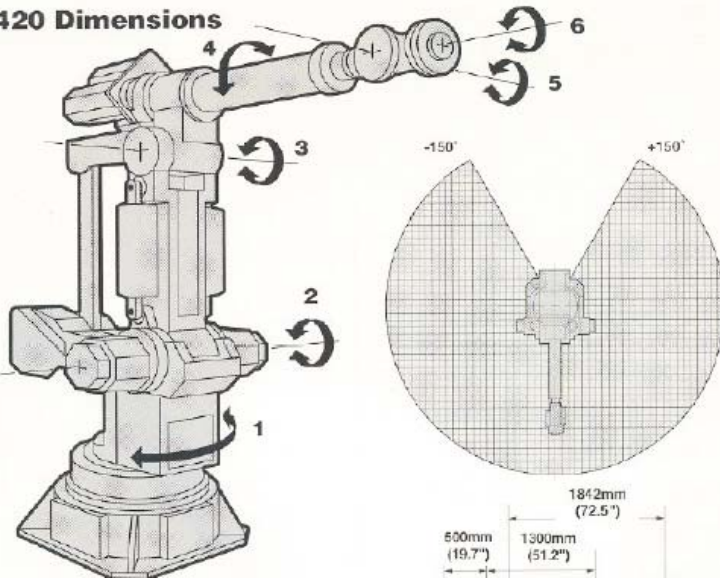




# FANUC ROBOTICS S-420

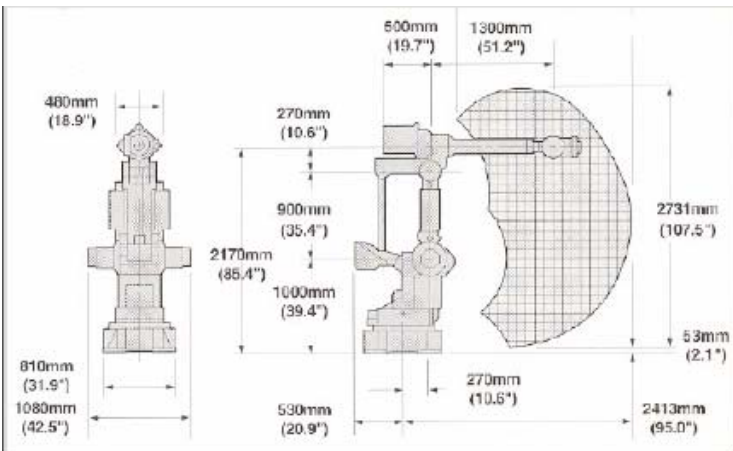
2Ri Robotics carries a wide selection of high-quality used robots, in stock and ready for shipment. Each component has undergone extensive reconditioning and passed rigorous testing to guarantee years of service and dependability

S-420 Dimensions



NOTE:  
Not to scale  
Work envelopes are  
referenced from the  
centerline of axis 5.

Grid Scale:  
1 block = 100mm (3.9")



Axis	Description	Range	Axis Velocity Floor Mount 120kg	(Degrees/Sec.) Angle Mount 120kg
(1)	Base rotation	300°	90	60
(2)	Waist bend	115°	90	60
(3)	Shoulder bend	130°	90	90
(4)	Arm roll	±360°	120	120
(5)	Wrist pitch	240°	120	120
(6)	Wrist roll	±360°	120	120
Axis	Wrist Moment (kg-m)	Wrist Inertia (kg-cm-sec <sup>2</sup> )		
(4)	60	306		
(5)	60	306		
(6)	36	110		