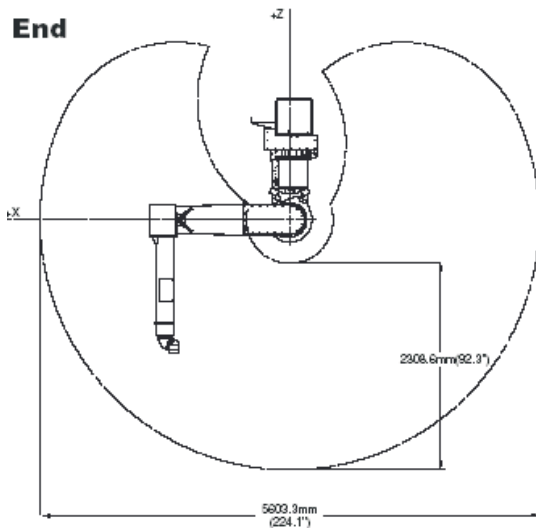




FANUC ROBOTICS P-200T

2Ri Robotics carries a wide selection of high-quality used robots, in stock and ready for shipment. Each component has undergone extensive reconditioning and passed rigorous testing to guarantee years of service and dependability

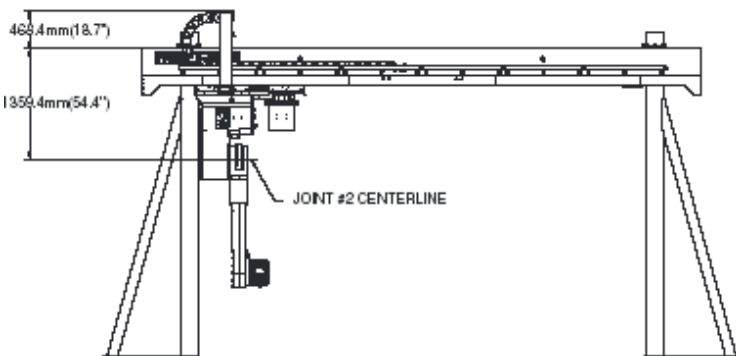
End



P-200T Specifications

Items			
Motion Range and Speed	Axis 1	7.5 meter travel (various)	1100 mm/sec
	Axis 2	+/- 115°	110° /sec
	Axis 3	+/- 160°	150° /sec
	Axis 4	+/- 180°	375° /sec
	Axis 5	+/- 180°	428° /sec
	Axis 6	+/- 180°	364° /sec
Coating speed	1000 mm/sec		
Wrist payload*	15kg		
Outer arm payload*	15kg		
Repeatability	+/- 1mm		
Mechanical brakes	Axis 2, 3, 4, 5		
Certification	FM Class I, II, III/Div I, II		
Environment	0-45° C ambient temperature		

Side



Top

