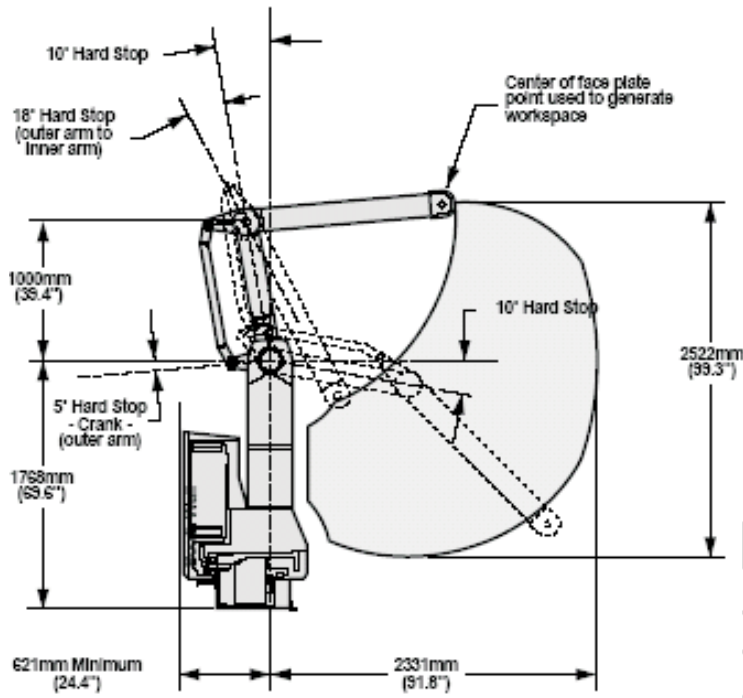




FANUC ROBOTICS

P-15 Hood/ Deck Opener

Door Opener Dimensions



P-15 Specifications

Items	Specification	
Motion range and speed	Range	Speed
Axis 1	Determined by rail length	1500mm/sec
Axis 2 (inner arm)	100°	49°/sec
Axis 3 (outer arm)	95°	49°/sec
Hood/deck lifting force	45 lbf (maximum)	
Drive Type	Electric AC Servomotor	
Position Encoders	Absolute Pulse Coders	
Mastering Method	Witness Surfaces	
Weight	420 kg	
Certification	FM Class I, II, III/Div I, II	
Environment	0 - 45° C	

2Ri Robotics carries a wide selection of high-quality used robots, in stock and ready for shipment. Each component has undergone extensive reconditioning and passed rigorous testing to guarantee years of service and dependability