

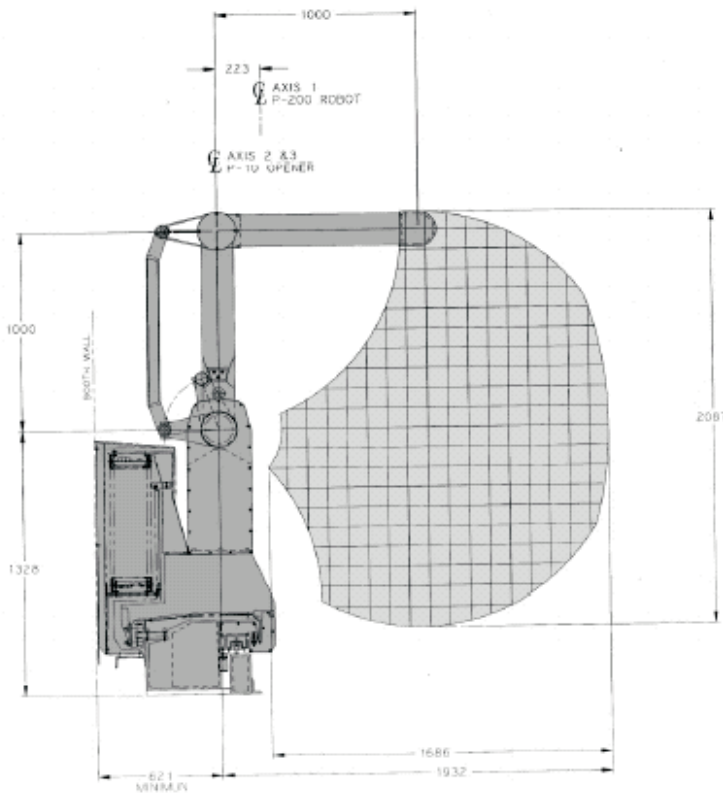


# FANUC ROBOTICS P-10 Door Opener

2Ri Robotics carries a wide selection of high-quality used robots, in stock and ready for shipment. Each component has undergone extensive reconditioning and passed rigorous testing to guarantee years of service and dependability



## Door Opener Dimensions



## P-10 Specifications

Items	Specification	
<b>Motion range and speed</b>	<b>Range</b>	<b>Speed</b>
Axis 1	Determined by rail length	1500mm/sec
Axis 2 (inner arm)	100°	49°/sec
Axis 3 (outer arm)	72°	49°/sec
Door opening pull force	60 lbf (maximum)	
Drive Type	Electric AC Servomotor	
Position Encoders	Absolute Pulse Coders	
Mastering Method	Witness Surfaces	
Weight	370 kg	
Certification	FM Class I, II, III/Div I, II	
Environment	0 - 45° C	