

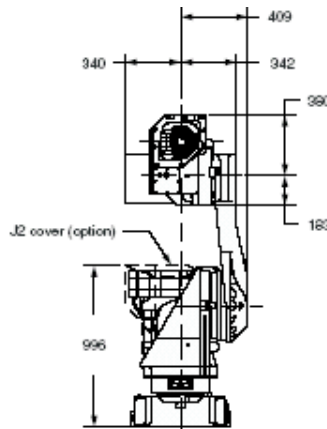


FANUC ROBOTICS M-710iB/70

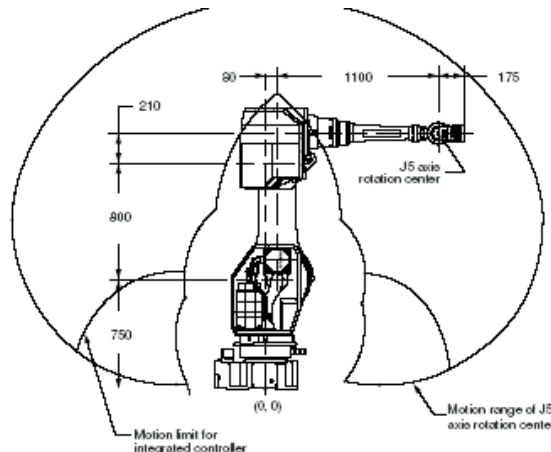
2Ri Robotics carries a wide selection of high-quality used robots, in stock and ready for shipment. Each component has undergone extensive reconditioning and passed rigorous testing to guarantee years of service and dependability

M-710iB/70 Specifications

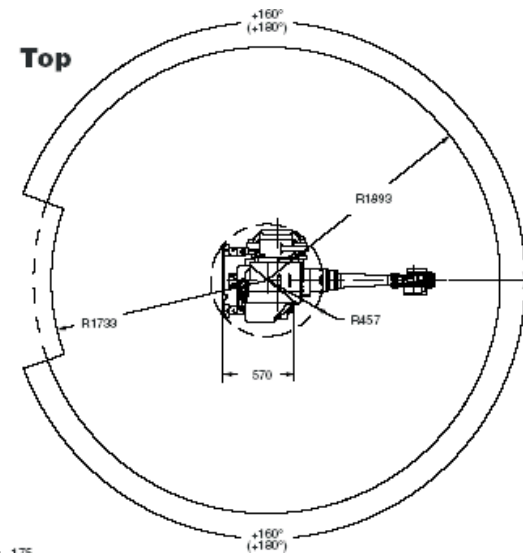
Items		
Axes ¹		6
Payload (kg)		70
Reach (mm)		1893
Repeatability (mm)		± 0.15
Interference radius (mm)		457
Motion range (degrees)	J1	320/360
	J2	120
	J3	976
	J4	540
	J5	250
	J6	720
Motion speed (degrees/sec.)	J1	160
	J2	120
	J3	120
	J4	225
	J5	225
	J6	225
Wrist moment (kgf-m)	J4	30
	J5	30
	J6	15
Wrist Inertia (kgf-cm-s ²)	J4	131
	J5	131
	J6	33
Mechanical brakes		All axes
Mechanical weight (kg)		745
Mounting method		Floor, ceiling, (Remote Controller)
Installation environment		
Ambient temperature °C		0 to 45
Humidity		Normally: 75% or less
		Short term (within a month): 95% or less
		No condensation
Vibration (m/s ²) (G)		4.9 or less (0.5G or less)
IP Rating(s) ²⁾		Body IP54 Std. (IP55 optional) Wrist and joint 3 arm IP67



Front



Side



Top