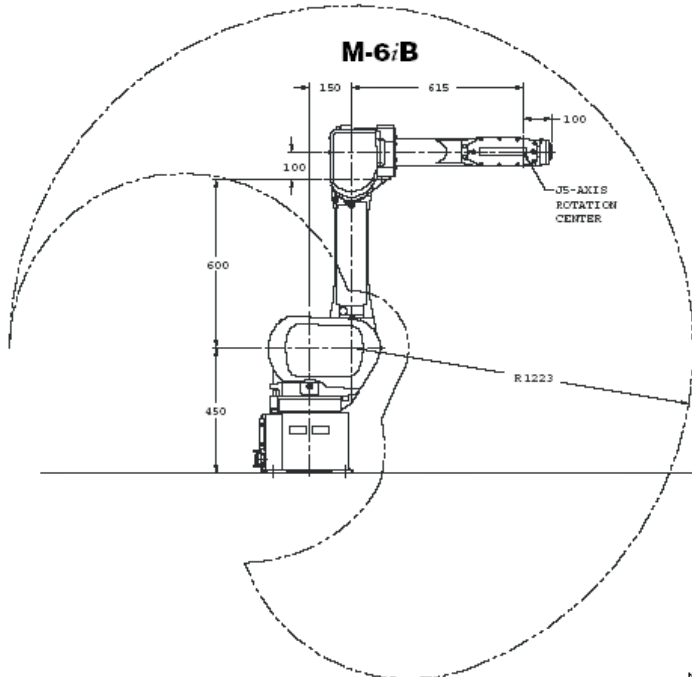




FANUC ROBOTICS M-6iB

2Ri Robotics carries a wide selection of high-quality used robots, in stock and ready for shipment. Each component has undergone extensive reconditioning and passed rigorous testing to guarantee years of service and dependability



Robot Specifications:

Items	LR Mate 200iB	M-6iB
Axes	6	6
Payload (kg)	3 (5 with limits)	6*
Reach (mm)	700	1,373
Repeatability (mm)	± 0.04	± 0.08
Interference radius (mm)	180	324
Motion range (degrees)	J1	320
	J2	185
	J3	316
	J4	380
	J5	240
	J6	720
Motion speed (degrees/sec.)	J1	180
	J2	180
	J3	225
	J4	400
	J5	330
	J6	480
Wrist moment (kgf-cm)	J4	74
	J5	74
	J6	53.2
Wrist inertia (kgf-cm-s ²)	J4	1.4
	J5	1.4
	J6	0.77
Mechanical brakes	All joints	All joints
Mechanical weight (kg)	45	140
Mounting method	Floor, inverted	Floor, Angle, Inverted
Installation environment	Class 100 (has tested cleaner under certain conditions)	