



FANUC ROBOTICS M - 6i

2Ri Robotics carries a wide selection of high-quality used robots, in stock and ready for shipment. Each component has undergone extensive reconditioning and passed rigorous testing to guarantee years of service and dependability

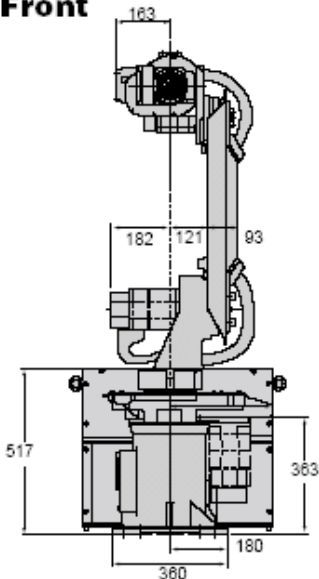
M-6i Specifications

Items		Range	Speed
Motion range and speed (1)	Axis 1	330°	120°/sec
	Axis 2	210°	120°/sec
	Axis 3	299°	120°/sec
	Axis 4	380°	360°/sec
	Axis 5	280°	360°/sec
	Axis 6	640°	450°/sec
Wrist Moments	Axis 4	1.6kg • m	
	Axis 5	1.0kg • m	
Wrist Load inertias	Axis 4	0.6kg • m	
	Axis 4	6.40kg • cm • s ²	
	Axis 5	2.00kg • cm • s ²	
	Axis 6	0.62kg • cm • s ²	
Repeatability	±0.1mm (±0.004")		
Maximum load wrist capacity	6kg (13.2 lbs)		
Mounting method (3)	Upright, inverted, angle, wall		
Maximum stroke	940mm (37") largest in its class		
Mechanical Brakes (4)	Axes 2 and 3		
Mechanical Weight	290kg (638 lbs) including i-controller		

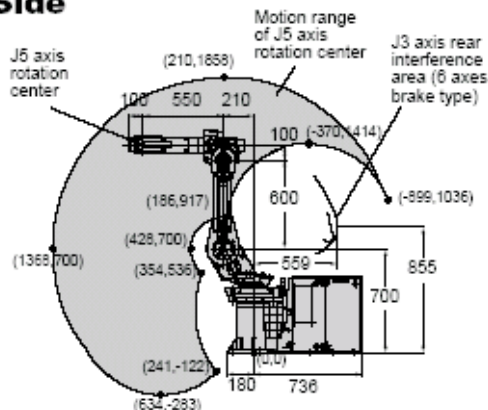
- (1) Axis 1 360° rotation is optional
- (2) For wall, shelf and angle mounts, brakes on all six axes are required
- (3) Reach is derated for angle and wall mount
- (4) Brakes on axes 1, 4, 5 and 6 are optional



Front



Side



Top

