



FANUC ROBOTICS M-410iB Series

2Ri Robotics carries a wide selection of high-quality used robots, in stock and ready for shipment. Each component has undergone extensive reconditioning and passed rigorous testing to guarantee



Layer Palletizing



M-410iB Series Specifications

Items		M-410iB/160	M-410iB/300	M-410iB/450
Axes		4	4	4
Payload (kg)		160	300	450
Reach (mm)		3143	3143	3130
Repeatability (mm)		± 0.5	± 0.5	± 0.5
Interference radius (mm)		674	674	808
Motion range (degrees)	J1	360	360	360
	J2	144	144	145
	J3	136	136	135
	J4	540	540	540
Motion speed ¹ (degrees/sec.)	J1	130	85	70
	J2	130	90	70
	J3	135	100	70
	J4	300	190	180
Wrist inertia (kgf-cm-s ²)	J4	800	1400	2000
Mechanical brakes		All axes	All axes	All axes
Mechanical weight (kg) ²		1940	1940	2430
Mounting method		Floor (upright)	Floor (upright)	Floor (upright)
Installation environment				
Temperature °C		0 to 45	0 to 45	0 to 45
Humidity		Normally: 75% or less Short term (within a month): 95% or less No condensation		
Vibration (m/s ²)		4.9 or less		



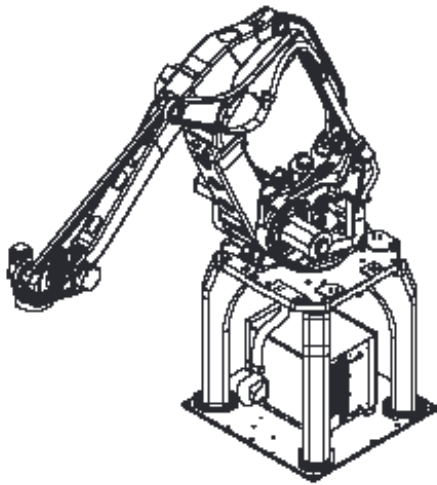
Corrugated Case Palletizing



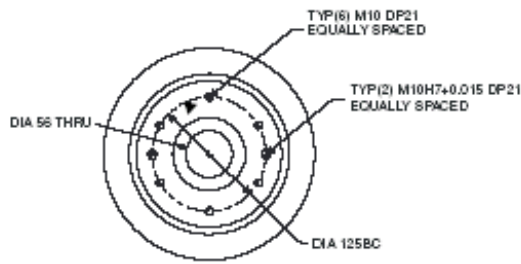
Mixed Load Palletizing

M-410iB/160/300 Dimensions

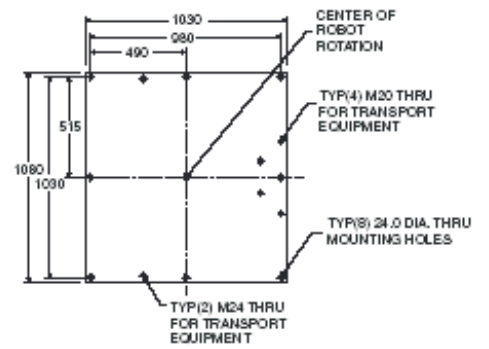
Isometric



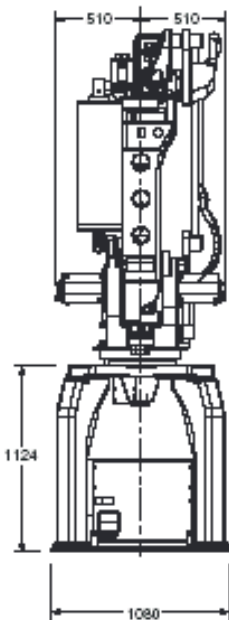
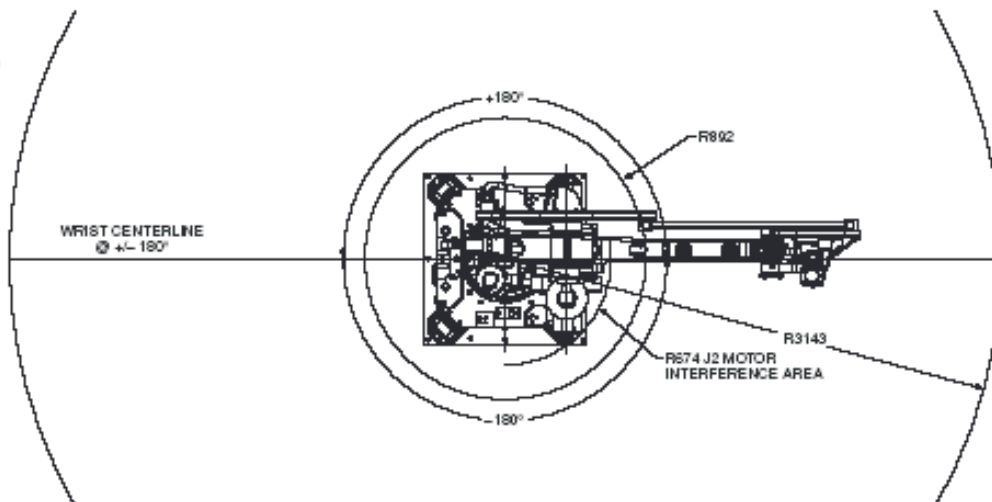
Wrist



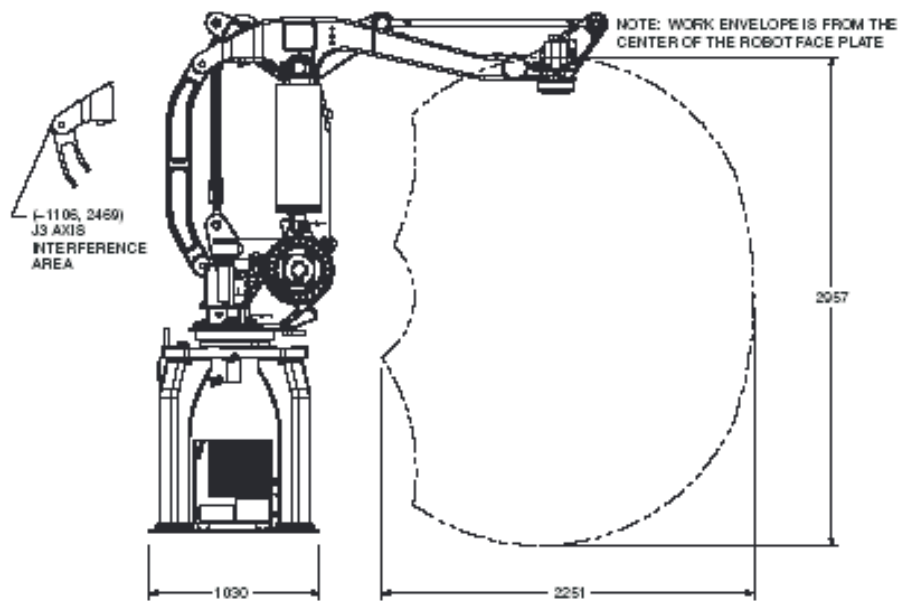
Footprint



Top



Front

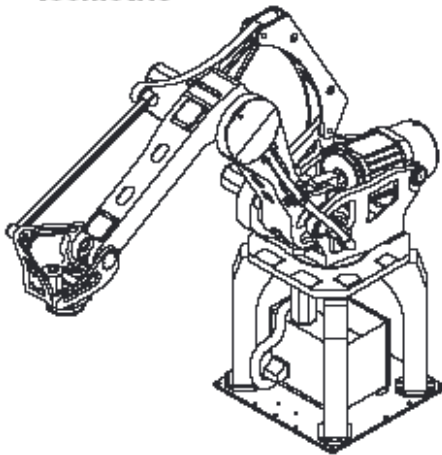


Side

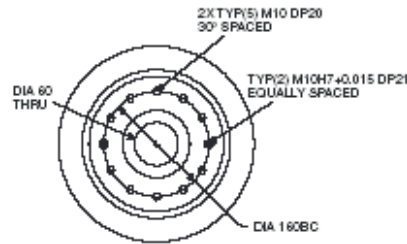
Note: Dimensions shown in millimeters.

M-410/B/450 Dimensions

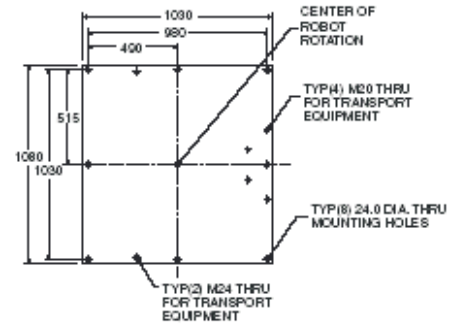
Isometric



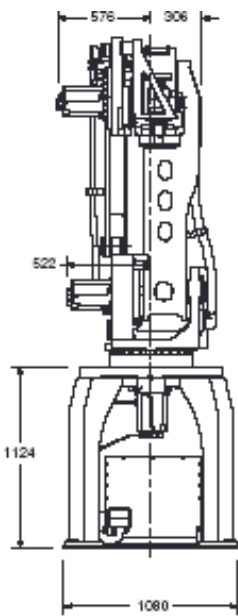
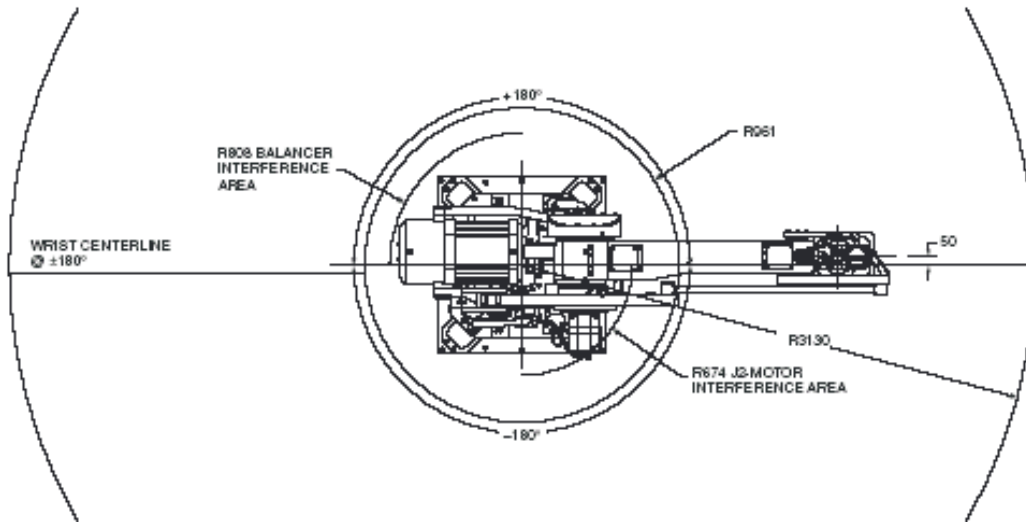
Wrist



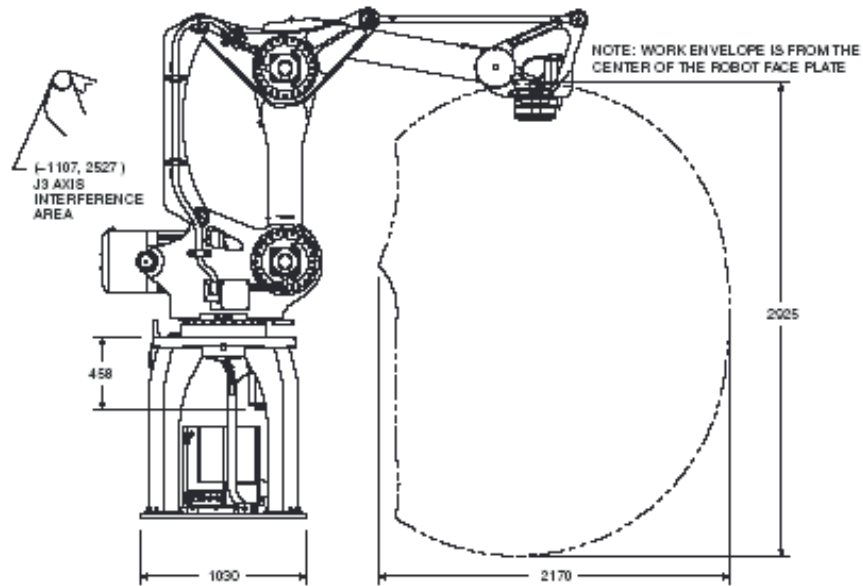
Footprint



Top



Front



Side

Note: Dimensions shown in millimeters.