



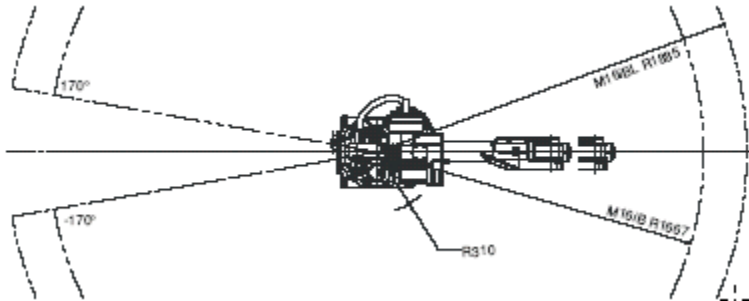
FANUC ROBOTICS M-16iB

2Ri Robotics carries a wide selection of high-quality used robots, in stock and ready for shipment. Each component has undergone extensive reconditioning and passed rigorous testing to guarantee years of service and dependability

M-16iB Series Specifications

Items	M-16iB/20	M-16iB/10L
Axes	6	6
Payload (kg)	20	10
Reach (mm)	1667	1665
Repeatability (mm)	±0.06	±0.10
Interference radius (mm)	310	310
Motion range (degrees)	J1	340/360
	J2	250
	J3	460
	J4	400
	J5	280
	J6	900
Motion speed (degrees/s)	J1	165
	J2	165
	J3	175
	J4	350
	J5	340
	J6	520
Wrist moment (kgf-m)	J4	4.0
	J5	4.0
	J6	2.0
Wrist Inertia (kgf-cm-s ²)	J4	9.0
	J5	9.0
	J6	2.5
Mechanical brakes	All axes	All axes
Mechanical weight (kg)	220	230
Mounting method	Floor, ceiling (angle and wall - see Note 1)	
Installation environment		
Temperature °C	0 to 45	
Humidity	Normally: 75% or less Short term (within a month): 95% or less No condensation	
Vibration (m/s ²) (G)	4.9 or less (0.5G or less)	
IP Rating(s)	Body IP54 std. (IP55 optional) Wrist & J3 arm IP67	
Payload at axis 3 (kg)	12	12

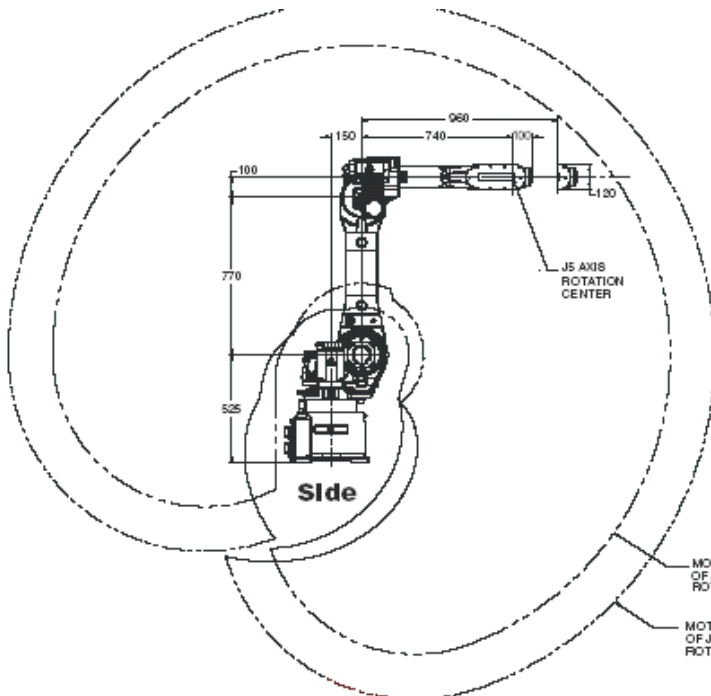
Top



Back



Side



Front

