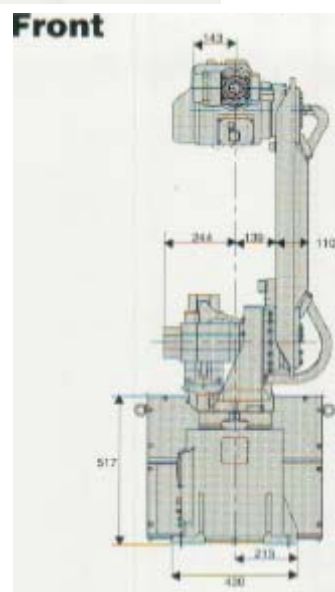
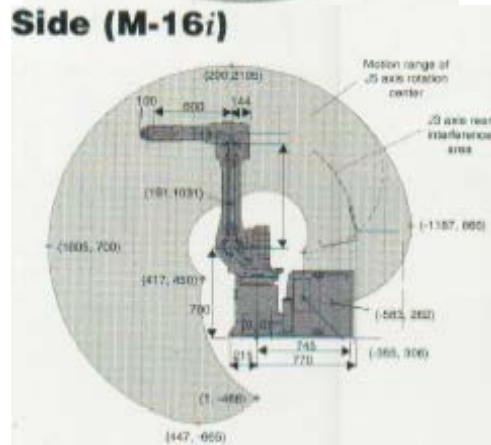
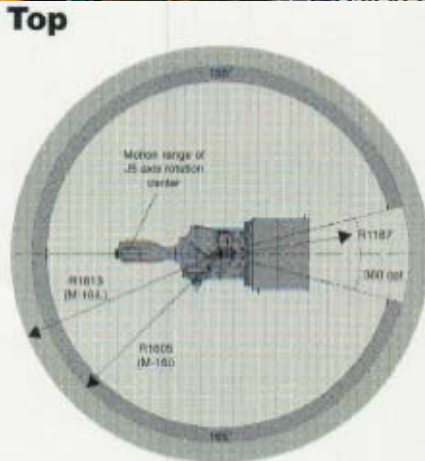




FANUC ROBOTICS M-16i

2Ri Robotics carries a wide selection of high-quality used robots, in stock and ready for shipment. Each component has undergone extensive reconditioning and passed rigorous testing to guarantee years of service and dependability



M-16i/iL Specifications

Items		Range	Speed
		M-16i/M-16iL	M-16i/M-16iL
Motion range and speed (1)	Axis 1	330°	140°/sec
	Axis 2	240°	140°/sec
	Axis 3	455.5°/410°	140°/sec
	Axis 4	400°	330°/sec
	Axis 5	280°	330°/sec
	Axis 6	900°	450°/sec
Moment kgf • m (N • m)	Axis 4	M-16/ 3.6 (35.1)	M-16iL 2.2 (22.0)
	Axis 5	3.2 (31.4)	2.0 (19.6)
	Axis 6	1.6 (15.7)	1.0 (9.8)
Load inertia kgf • cm • s ²	Axis 4	8.7	5.3
	Axis 5	7.1	4.3
	Axis 6	2.0	1.2
Repeatability mm (in)		±0.08(±0.003)	±0.1(±0.004)
Maximum load capacity kg (lbs)	Wrist	16 (35.2)	10 (22.0)
	Axis 3	20 (44)	12 (26.4)
Maximum reach mm (in)	Axis 2	30 (66)	30 (66.0)
Horizontal stroke mm (in)		1605 (63.2)	1813 (71.4)
Mounting method ¹		1073 (42.2)	1329 (52.3)
Mechanical brakes		Upright, inverted, angle and wall	
Mechanical weight		All axes	
i-Controller weight		270kg (594 lbs)	
Levels of protection		100kg	
	Wrist and joint		IP67
	3 arm		
	Body		IP54(IP55 optional)
	Controller		IP54

