



FANUC ROBOTICS

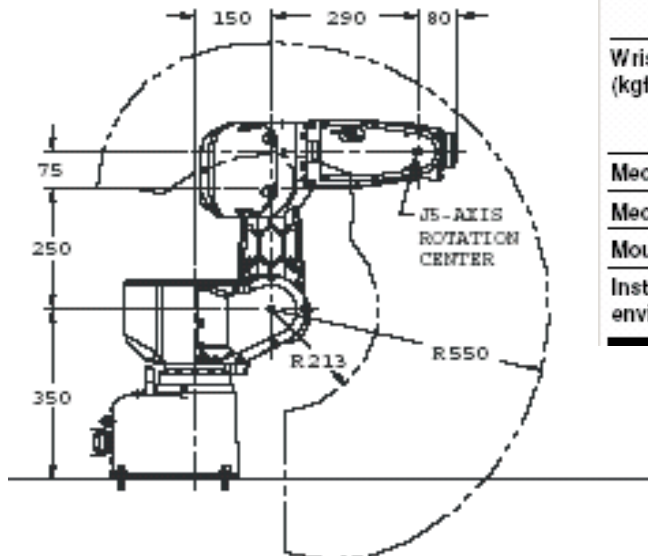
LR Mate 200iB

2Ri Robotics carries a wide selection of high-quality used robots, in stock and ready for shipment. Each component has undergone extensive reconditioning and passed rigorous testing to guarantee years of service and dependability

LR Mate 200iB



LR Mate 200iB



Robot Specifications:

Items	LR Mate 200iB	M-6iB
Axes	6	6
Payload (kg)	3 (5 with limits)	6*
Reach (mm)	700	1,373
Repeatability (mm)	± 0.04	± 0.08
Interference radius (mm)	180	324
Motion range (degrees)	J1	320
	J2	185
	J3	316
	J4	380
	J5	240
	J6	720
Motion speed (degrees/sec.)	J1	180
	J2	180
	J3	225
	J4	400
	J5	330
	J6	480
Wrist moment (kgf-cm)	J4	74
	J5	74
	J6	53.2
Wrist inertia (kgf-cm-s ²)	J4	1.4
	J5	1.4
	J6	0.77
Mechanical brakes	All joints	All joints
Mechanical weight (kg)	45	140
Mounting method	Floor, inverted	Floor, Angle, Inverted
Installation environment	Class 100 (has tested cleaner under certain conditions)	