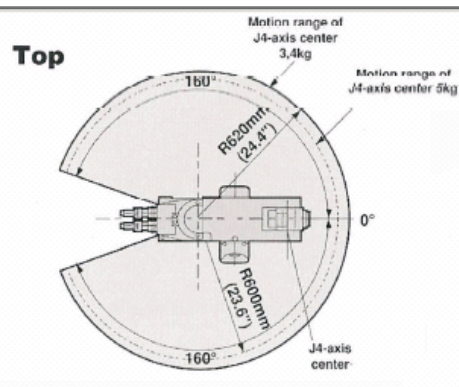
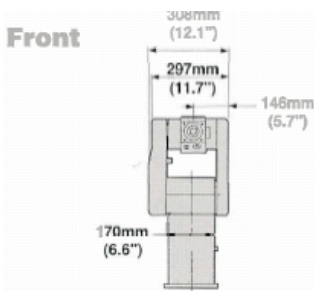
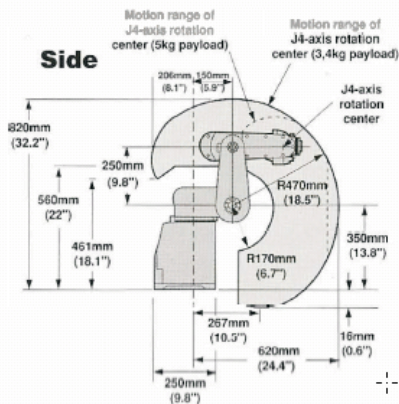
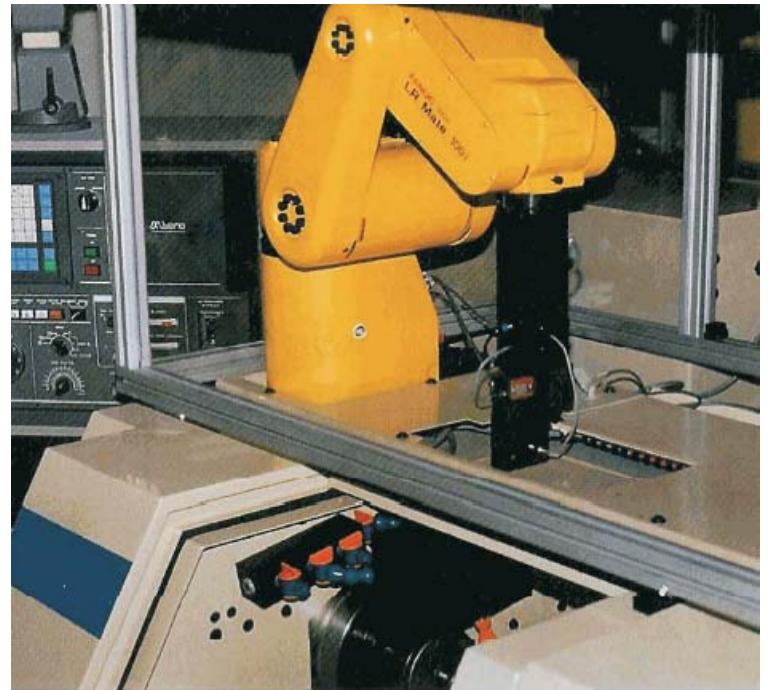




FANUC ROBOTICS LR Mate 100i

2Ri Robotics carries a wide selection of high-quality used robots, in stock and ready for shipment. Each component has undergone extensive reconditioning and passed rigorous testing to guarantee years of service and dependability



LR Mate 100i Specifications

Items	3kg (6.6 lbs) payload		4kg (8.8 lbs) payload		5kg (11 lbs) payload	
	Range	Speed	Range	Speed	Range	Speed
Motion range and speed	Axis 1	320°	180°/sec	320°	150°/sec	Same as 4kg (note 1)
	Axis 2	185°	180°/sec	185°	150°/sec	
	Axis 3	365°	225°/sec	365°	180°/sec	
	Axis 4	240°	216°/sec	240°	100°/sec	
	Axis 5	400°	272°/sec	400°	250°/sec	
Moment	Axis 4	55.5 kgf · cm		74.0 kgf · cm		50.0 kgf · cm
	Axis 5	40.0 kgf · cm		40.0 kgf · cm		4.4 kgf · cm (note 2)
Load inertia	Axis 4	1.1 kgf · cm · s ²		1.4 kgf · cm · s ²		2.25 kgf · cm · s ²
	Axis 5	0.41 kgf · cm · s ²		0.41 kgf · cm · s ²		0.51 kgf · cm · s ²
Repeatability	±0.04mm (±0.002") based on JISB8432					
Mounting method	Upright/inverted					
Mechanical brakes	Axis 2, axis 3 (axis 1 option)					
Mechanical weight	32kg (70.5 lbs)					
Dust/water intrusion protection	Conforms to the IP54 standard for dust and liquid intrusion protection (seals may need periodic replacement if used with chlorine or gasoline based coolants)					
Notes	(1) In the case of 5kg wrist payload, the motion area and the wrist direction are limited (2) In the case of 5kg wrist payload, the wrist direction is limited to downward					