



FANUC ROBOTICS F-200iB

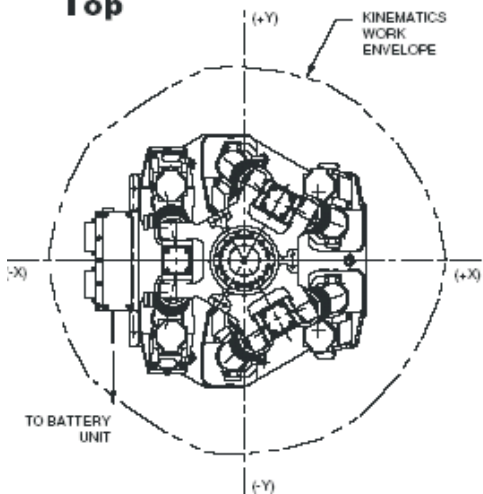
2Ri Robotics carries a wide selection of high-quality used robots, in stock and ready for shipment. Each component has undergone extensive reconditioning and passed rigorous testing to guarantee years of service and dependability



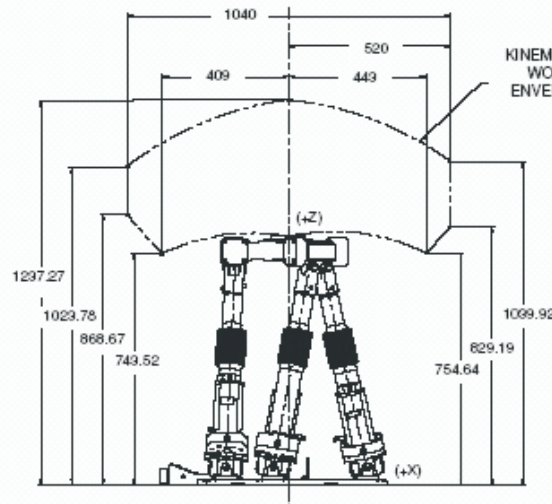
F-200iB Specifications

Items	
Degrees of freedom	Six
Payload (kg)	100 (Higher payloads permissible with FANUC approval)
Allowable load moment at faceplate (kgf-m)	60
Allowable load inertia at faceplate (kgf-cm-s ²)	367
Motion range (degrees)	As noted (pitch, yaw and roll vary depending upon the position of the faceplate within the envelope)
Motion speed (mm/sec)	
Vertical (Z)	300
Horizontal (X & Y)	1500
Repeatability (mm)	± 0.1
Mounting method	Floor and inverted. Wall mount permissible with FANUC approval.
Installation environment	
Ambient temperature °C	0 to 45
Humidity	Normally: 75% or less Short term (within a month): 95% or less. No condensation
Vibration (m/s ²)	0.5G or less
Mechanical brakes	All actuator legs
Mechanical weight (kg)	190
Controller	R-J3iB
Level of protection:	
Mechanical	IP54
Electrical	IP54
Controller	IP54

Top



Side



Front

