



FANUC ROBOTICS

ArcMate 120iB-10LT

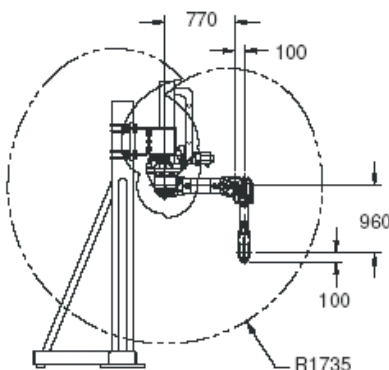
ARC Mate 120iB/10LT Specifications

Items	
Axes	6
Payload - wrist (kg)	10
- J3 arm (kg)	12
Reach (mm)	1735
Repeatability (mm)	± 0.10
Interference radius (mm)	308
Motion range (degrees)	J1 2.4 m - 32 m
	J2 300
	J3 455
	J4 400
	J5 280
	J6 900
Motion speed (degrees/s)	J1 2750 mm/sec.
	J2 165
	J3 175
	J4 350
	J5 340
	J6 520
Wrist moment (kgf-m)	J4 2.2
	J5 2.2
	J6 1.0
Wrist inertia (kgf-cm-s ²)	J4 6.4
	J5 6.4
	J6 1.5
Mechanical brakes	All axes
Mechanical weight (kg)	149 (Robot arm only)
Mounting method	Underslung only
Ambient temperature (°C)	0 to 45
Ambient Humidity	Normally: ≤75% RH. Short term: (≤ one month): ≤95% RH. No condensation (dew or frost)
Vibration (m/s ²)	≤4.9 (≤0.5G)
IP Rating(s)	Rail IP50, Body IP54, Wrist & J3 arm IP67
Purpose	Overhead rail mount

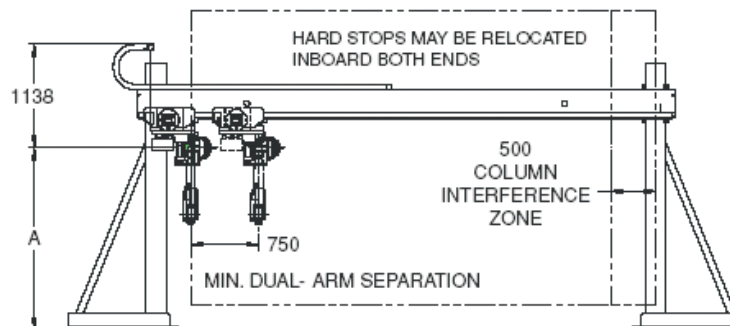


2Ri Robotics carries a wide selection of high-quality used robots, in stock and ready for shipment. Each component has undergone extensive reconditioning and passed rigorous testing to guarantee years of service and dependability

Right (Underslung)



Front (Underslung)



Left (Underslung)

