

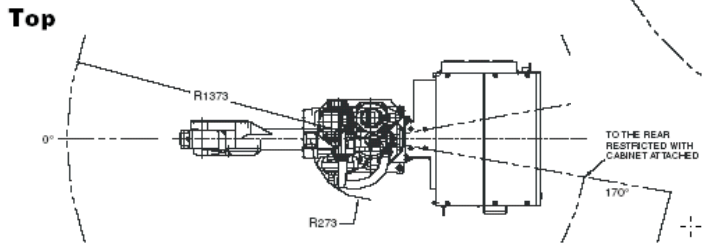
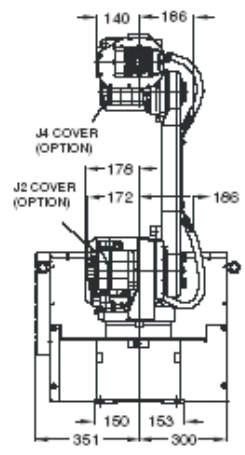
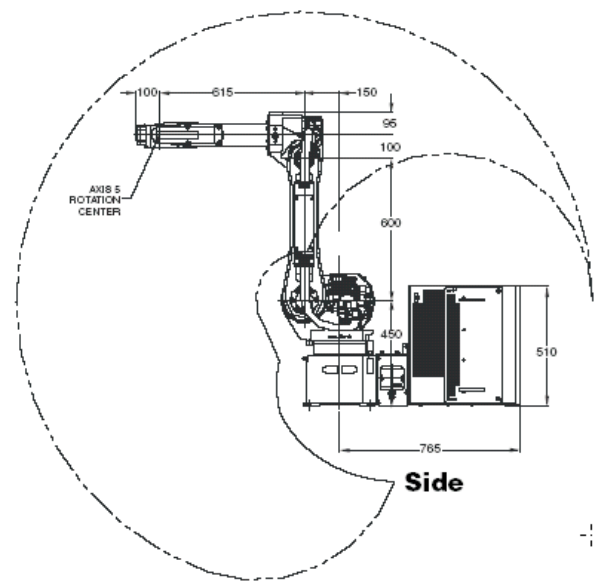


FANUC ROBOTICS ArcMate 100iBe

2Ri Robotics carries a wide selection of high-quality used robots, in stock and ready for shipment. Each component has undergone extensive reconditioning and passed rigorous testing to guarantee years of service and dependability

ARC Mate 100iBe & 120iBe Specifications

| Items | AM100iBe | AM120iBe |
|--|--|----------|
| Axes | 6 | 6 |
| Payload (kg) | 6 | 20 |
| Reach (mm) | 1373 | 1667 |
| Repeatability (mm) | ±0.08 | ±0.08 |
| Interference radius (mm) | 273 | 310 |
| Motion range (degrees) | J1 | 340 |
| | J2 | 250 |
| | J3 | 340 |
| | J4 | 380 |
| | J5 | 280 |
| | J6 | 720 |
| Motion speed (degrees/s) | J1 | 150 |
| | J2 | 160 |
| | J3 | 170 |
| | J4 | 400 |
| | J5 | 400 |
| | J6 | 520 |
| Wrist moment (kgf-m) | J4 | 1.6 |
| | J5 | 1.0 |
| | J6 | 0.6 |
| Wrist inertia (kgf-cm-s ²) | J4 | 6.4 |
| | J5 | 1.7 |
| | J6 | 0.62 |
| Mechanical brakes | All axes | All axes |
| Mechanical weight (kg) | 135 | 230 |
| Mounting method | Floor | |
| Installation environment: | | |
| Ambient temperature °C | 0 to 45 | |
| Humidity | Normally: 75% or less Short term (within a month): 95% or less No condensation (No dew or frost allowed) | |
| Vibration (m/s ²) | 4.9 or less | |
| Payload at axis 3 (kg) | 12 | 12 |



Front