

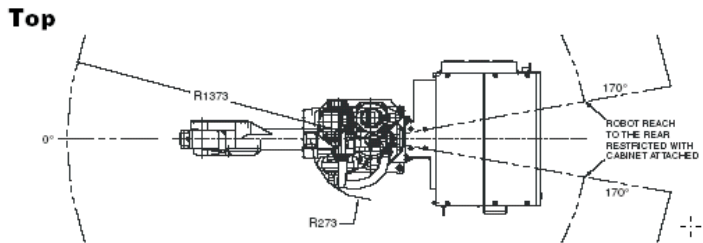
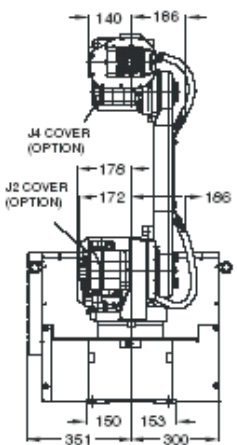
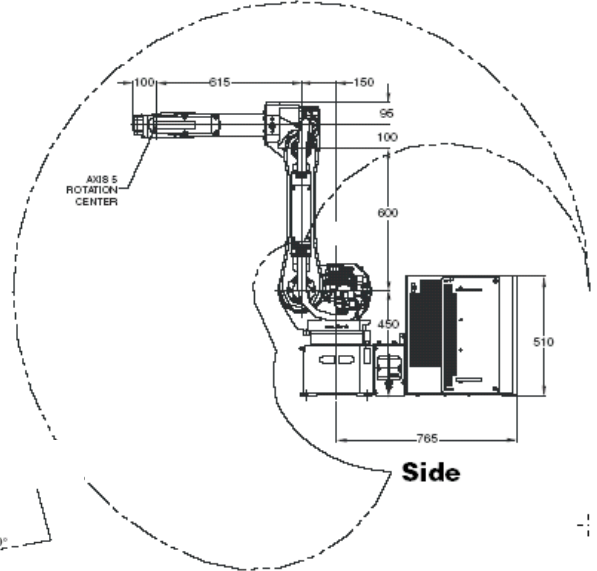


FANUC ROBOTICS ArcMate 100iBe

2Ri Robotics carries a wide selection of high-quality used robots, in stock and ready for shipment. Each component has undergone extensive reconditioning and passed rigorous testing to guarantee years of service and dependability

ARC Mate 100iBe & 120iBe Specifications

Items	AM100iBe	AM120iBe
Axes	6	6
Payload (kg)	6	20
Reach (mm)	1373	1667
Repeatability (mm)	±0.08	±0.08
Interference radius (mm)	273	310
Motion range (degrees)	J1	340
	J2	250
	J3	340
	J4	380
	J5	280
	J6	720
Motion speed (degrees/s)	J1	150
	J2	160
	J3	170
	J4	400
	J5	400
	J6	520
Wrist moment (kgf-m)	J4	1.6
	J5	1.0
	J6	0.6
Wrist inertia (kgf-cm-s ²)	J4	6.4
	J5	1.7
	J6	0.62
Mechanical brakes	All axes	All axes
Mechanical weight (kg)	135	230
Mounting method	Floor	
Installation environment:		
Ambient temperature °C	0 to 45	
Humidity	Normally: 75% or less Short term (within a month): 95% or less No condensation (No dew or frost allowed)	
Vibration (m/s ²)	4.9 or less	
Payload at axis 3 (kg)	12	12



Front