

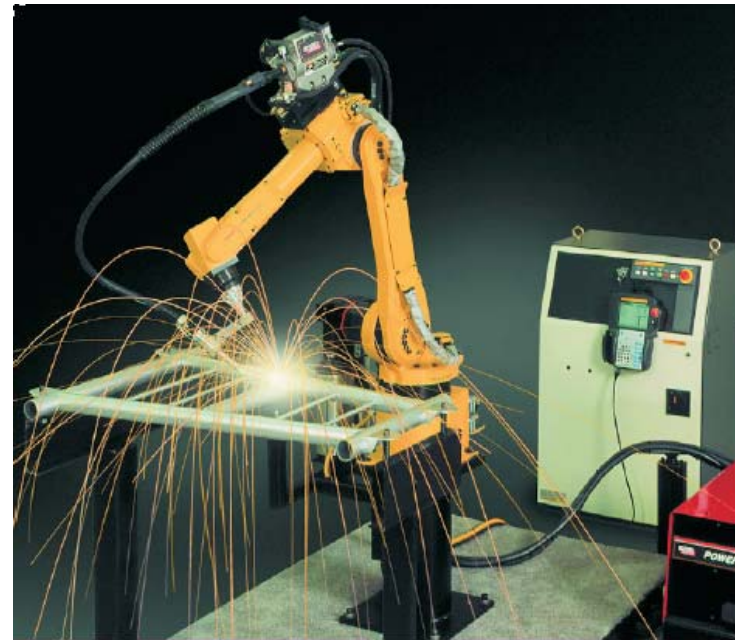


FANUC ROBOTICS ArcMate100iB

ARC Mate 100iB Specifications

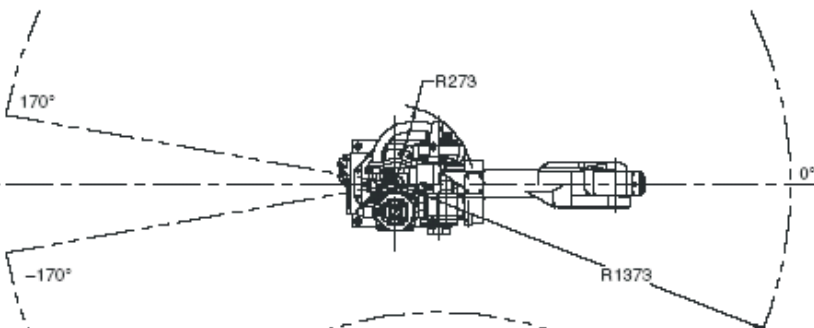


Items		
Axes		6
Payload (kg)		6
Reach (mm)		1373
Repeatability (mm)		±0.08
Interference radius (mm)		273
Motion range (degrees)	J1	340
	J2	250
	J3	315
	J4	380
	J5	280
	J6	720
Motion speed (degrees/sec.)	J1	150
	J2	160
	J3	170
	J4	400
	J5	400
	J6	500
Wrist moment (kgfcm)	J4	160
	J5	100
	J6	60
Wrist inertia (kgfcm ²)	J4	6.4
	J5	2.2
	J6	0.61
Mechanical brakes		All axes
Mechanical weight (kg)		138
Mounting method ⁽¹⁾		Upright, inverted, wall and angle mount
Installation environment		
Temperature °C		0 to 45
Humidity		Normally: 75% or less Short term (within a month): 95% or less No condensation
Vibration (m/s ²)		4.9 or less
Payload at axis 3 (kg)		12

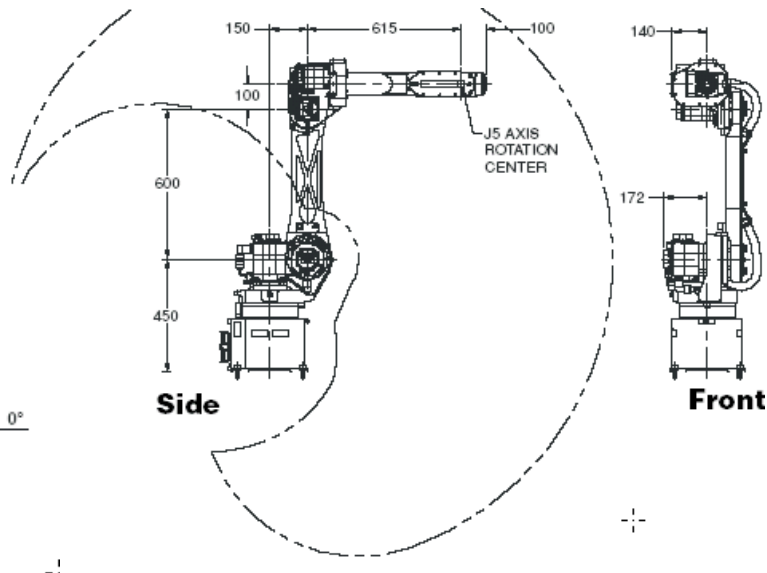


2Ri Robotics carries a wide selection of high-quality used robots, in stock and ready for shipment. Each component has undergone extensive reconditioning and passed rigorous testing to guarantee years of service and dependability

Top



Side



Front