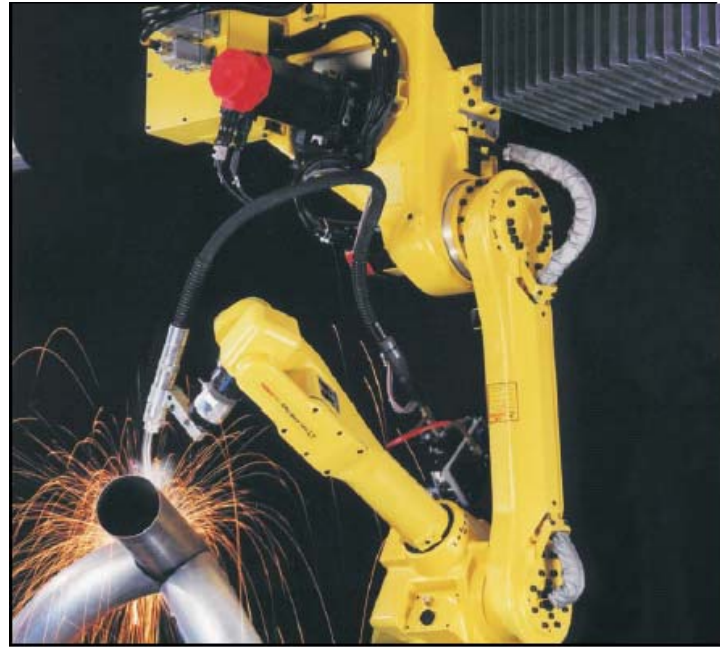




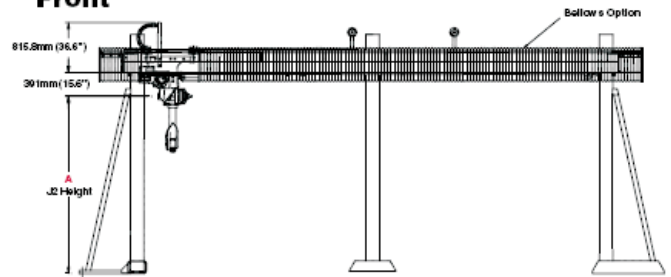
FANUC ROBOTICS ArcMate 120iLT

2Ri Robotics carries a wide selection of high-quality used robots, in stock and ready for shipment. Each component has undergone extensive reconditioning and passed rigorous testing to guarantee years of service and dependability

Items		Specifications	
		AM120iLT	
		Range	Speed
Motion range and speed	Axie 1 ^A	30m, 15m, 6.5m	2m/sec
	Axie 2	300°	140°/sec
	Axie 3	480°	140°/sec
	Axie 4	400°	330°/sec
	Axie 5	280°	330°/sec
	Axie 6	900°	450°/sec
Wrist	Axie 4	2.2	
Moments (kgf · m)	Axie 5	2.0	
	Axie 6	1.0	
Wrist Load inertias (kgf·cm·s ²)	Axie 4	5.3	
	Axie 5	4.3	
		1.0 (16kg payload) ^B	
	Axie 6	1.2	
Articulated arm repeatability, mm (in)		±0.1(±0.004)	
Rail repeatability mm (in)		±0.25(±0.010) ^A	
Maximum J6 payload capacity, kg (lbs)		10 (22)	
Maximum articulated arm reach, mm (in)		1613 (63.5)	
J2 height (floor to centerline of J2)		2.0m (1.8m - 2.2m) 2.3m (2.1m - 2.5m) 2.6m (2.4m - 2.8m) 2.9m (2.7m - 3.1m)	
Mechanical brakes		All axes	
Mechanical weight		902kg (1984lb) ^B	
Levels of protection	Wrist and J3 arm	IP67	
	Body	IP54 (IP55 optional)	
	Controller	IP54	

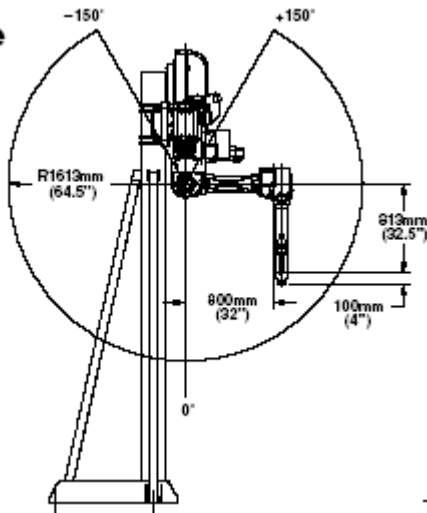


Front



A (J2 Height)	B (Linear Travel)	C (Length/Bellows)
1.8m - 2.2m	9.0m (118.1')	5.4m (213')
2.1m - 2.5m	6.5m (255.9')	8.5m (350')
2.4m - 2.8m	15.5m (610.25')	10.7m (775')

Side



Top

